

MSF10N40

400V N-Channel MOSFET

Description

The MSF10N40 is a N-channel enhancement-mode MOSFET , providing the designer with the best combination of fast switching, ruggedized device design, low on-resistance and cost effectiveness. The TO-220F package is universally preferred for all commercial-industrial applications

Features

- Originative New Design
- Very Low Intrinsic Capacitances
- Excellent Switching Characteristics
- 10.5A, 400V, $R_{DS(on)} = 0.55\Omega @V_{GS} = 10 V$
- Extended Safe Operating Area
- Low gate charge (typ 30nC)
- 100% Avalanche Tested
- RoHS compliant package

Application

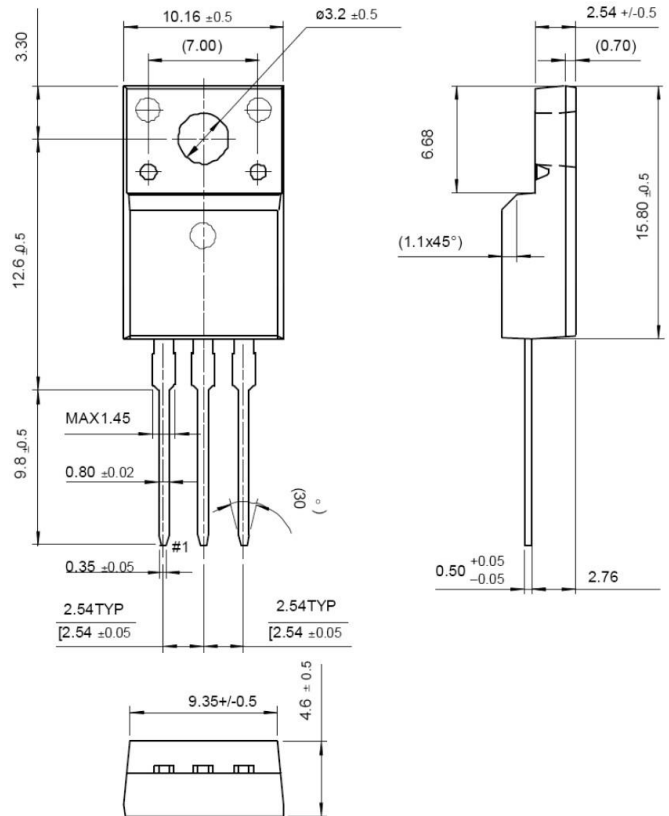
- Power Factor Correction
- LCD TV Power
- Full and Half Bridge Power

Packing & Order Information

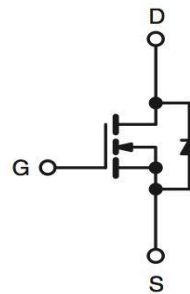
50/Tube ; 1,000/Box



RoHS
COMPLIANT



Graphic symbol



MAXIMUM RATINGS AND ELECTRICAL CHARACTERISTICS

Absolute Maximum Ratings (Tc=25°C unless otherwise noted)

Symbol	Parameter	Value	Unit
V _{DSS}	Drain-Source Voltage	400	V
V _{GS}	Gate-Source Voltage	±30	V
I _D	Drain Current -Continuous (TC=25°C)	10.5	A
	Drain Current -Continuous (TC=100°C)	6.6	A
I _{DM}	Drain Current Pulsed	402	A
E _{AS}	Single Pulsed Avalanche Energy	378	mJ
I _{AR}	Avalanche Current	9.2	A
E _{AR}	Repetitive Avalanche Energy	13.9	mJ

MSF10N40

400V N-Channel MOSFET

Absolute Maximum Ratings (Tc=25°C unless otherwise noted)

Symbol	Parameter	Value	Unit
dV/dt	Peak Diode Recovery dV/dt	4.5	V/ns
P _D	Power Dissipation (TC = 25 °C)	45.5	W
	Derate above 25°C	0.36	W/°C
T _J , T _{STG}	Operating and Storage Temperature Range	-55 to +150	°C
T _L	Maximum lead temperature for soldering purposes, 1/8" from case for 5 seconds	300	°C

- Drain current limited by maximum junction temperature

Thermal characteristics (Tc=25°C unless otherwise noted)

Symbol	Parameter	Max.	Units
R _{θJC}	Junction-to-Case	2.25	°C/W
R _{θJA}	Junction-to-Ambient	62.5	

On Characteristics

Symbol	Parameter	Test Conditions	Min	Typ.	Max.	Units
V _{GS}	Gate Threshold Voltage	V _{DS} =V _{GS} , I _D =250μA	3.0	--	5.0	V
R _{DS(ON)}	Static Drain-Source On-Resistance	V _{GS} =10V, I _D =3A	--	1.95	2.4	Ω

Off Characteristics

Symbol	Parameter	Test Conditions	Min	Typ.	Max.	Units
BV _{DSS}	Drain-Source Breakdown Voltage	V _{GS} =0 V , I _D =250μA	900	--	--	V
ΔBV _{DSS} /ΔT _J	Breakdown Voltage Temperature Coefficient	I _D =250μA, Referenced to 25°C	--	1.03	--	V/°C
I _{DSS}	Zero Gate Voltage Drain Current	V _{DS} =900V , V _{GS} = 0 V V _{DS} =720V , T _C = 125°C	--	--	10 100	μA
I _{GSSF}	Gate-Body Leakage Current, Forward	V _{GS} =30V , V _{DS} =0 V	--	--	100	nA
I _{GSSR}	Gate-Body Leakage Current, Reverse	V _{GS} =-30V , V _{DS} =0 V	--	--	-100	nA

Dynamic Characteristics

Symbol	Parameter	Test Conditions	Min	Typ.	Max.	Units
C _{ISS}	Input Capacitance	V _{DS} =25V, V _{GS} =0V, f=1.0MHz	--	1500	2010	pF
C _{OSS}	Output Capacitance		--	145	190	pF
C _{RSS}	Reverse Transfer Capacitance		--	15	20	pF

MSF10N40

400V N-Channel MOSFET

Dynamic Characteristics						
Symbol	Parameter	Test Conditions	Min	Typ.	Max.	Units
$t_{d(on)}$	Turn-On Time	$V_{DS}=450\text{ V}, I_D=6\text{ A},$ $R_G=25\Omega$	--	40	80	ns
t_r	Turn-On Time		--	120	240	ns
$t_{d(off)}$	Turn-Off Delay Time		--	60	120	ns
t_f	Turn-Off Fall Time		--	70	140	ns
Q_g	Total Gate Charge	$V_{DS}=720\text{ V}, I_D=6\text{ A},$ $V_{GS}=10\text{ V}$	--	33	45	nC
Q_{gs}	Gate-Source Charge		--	10	--	nC
Q_{gd}	Gate-Drain Charge		--	13	--	nC

Source-Drain Diode Maximum Ratings and Characteristics						
Symbol	Parameter	Test Conditions	Min	Typ.	Max.	Units
I_S	Continuous Source-Drain Diode Forward Current		--	--	6.0	A
I_{SM}	ISM Pulsed Source-Drain Diode Forward Current		--	--	24.0	
V_{SD}	Source-Drain Diode Forward Voltage	$I_S=6\text{ A}, V_{GS}=0\text{ V}$	--	--	1.4	V
t_{rr}	Reverse Recovery Time	$I_S=6\text{ A}, V_{GS}=0\text{ V}$ $diF/dt=100\text{ A}/\mu\text{s}$	--	780	--	ns
Q_{rr}	Reverse Recovery Charge		--	9.0	--	μC

Notes;

1. Repetitive Rating: Pulse width limited by maximum junction temperature
2. $L=34\text{ mH}, I_{AS}=6\text{ A}, V_{DD}=50\text{ V}, R_G=25\Omega$, Starting $T_J=25^\circ\text{C}$
3. $I_{SD}\leq 6\text{ A}, di/dt\leq 200\text{ A}/\mu\text{s}, V_{DD}\leq BV_{DSS}$, Starting $T_J=25^\circ\text{C}$
4. Pulse Test: Pulse Width $\leq 300\mu\text{s}$, Duty Cycle $\leq 2\%$
5. Essentially Independent of Operating Temperature

MSF10N40

400V N-Channel MOSFET

■ Characteristics Curve

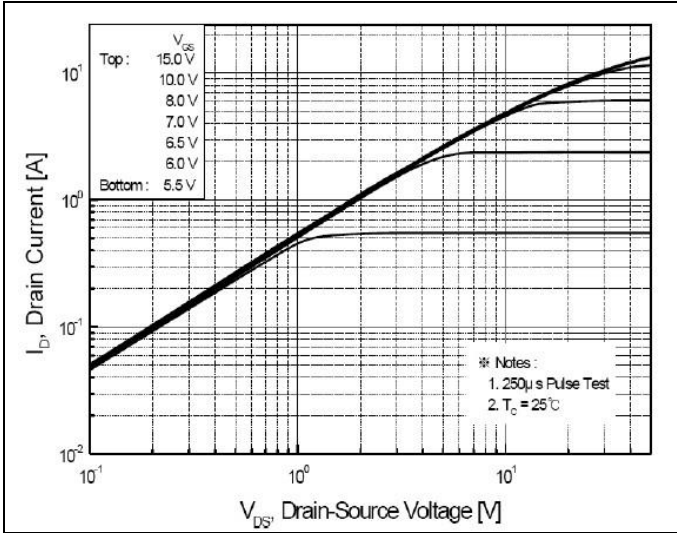


FIG.1-ON REGION CHARACTERISTICS

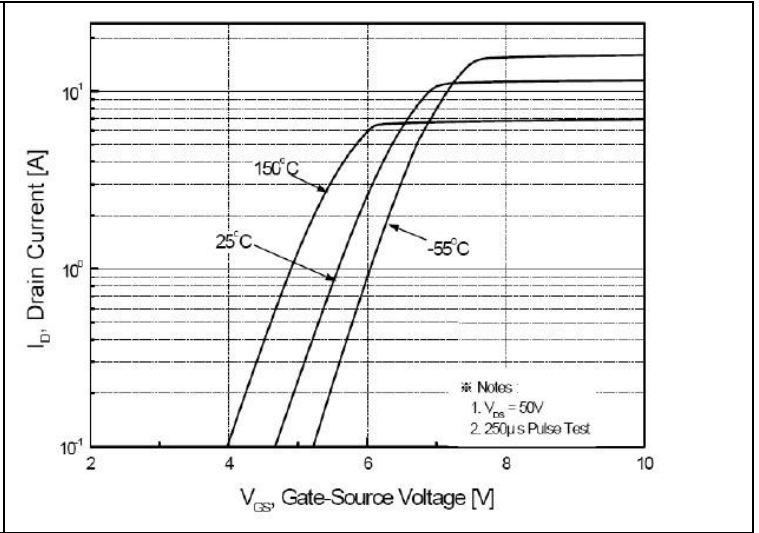


FIG.2-TRANSFER CHARACTERISTICS

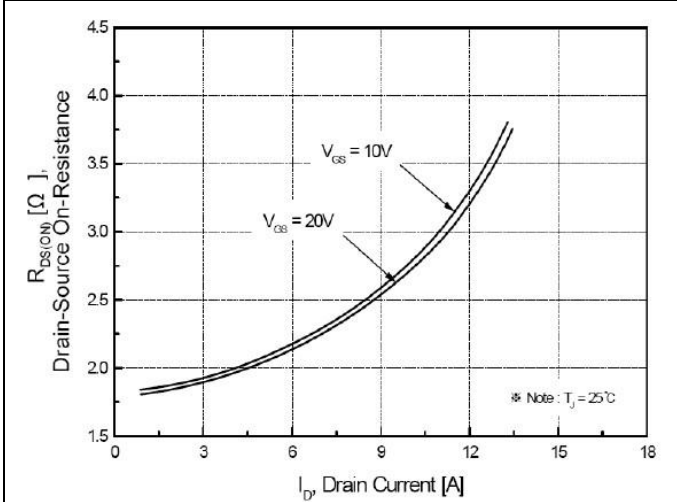


FIG.3-ON RESISTANCE VARIATION VS DRAIN CURRENT AND GATE VOLTAGE

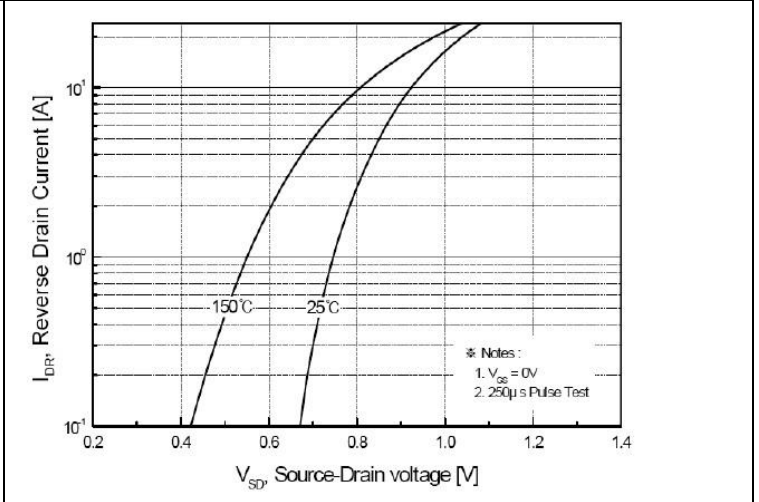


FIG.4-BODY DIODE FORWARD VOLTAGE VARIATION WITH SOURCE CURRENT AND TEMPERATURE

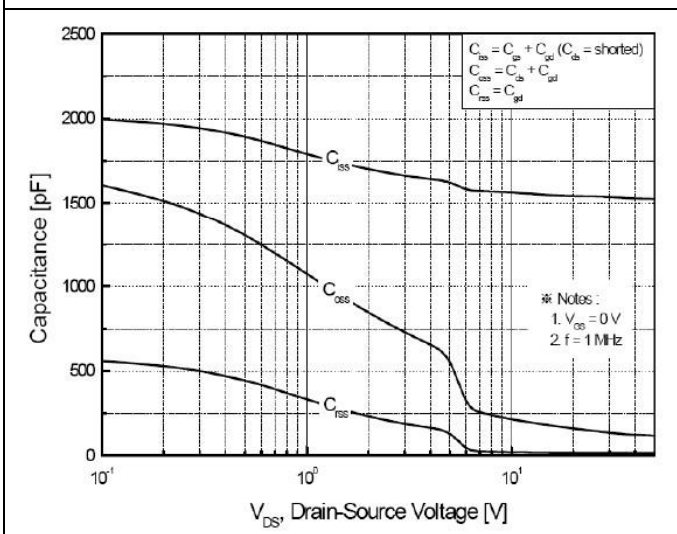


FIG.5-CAPACITANCE CHARACTERISTICS

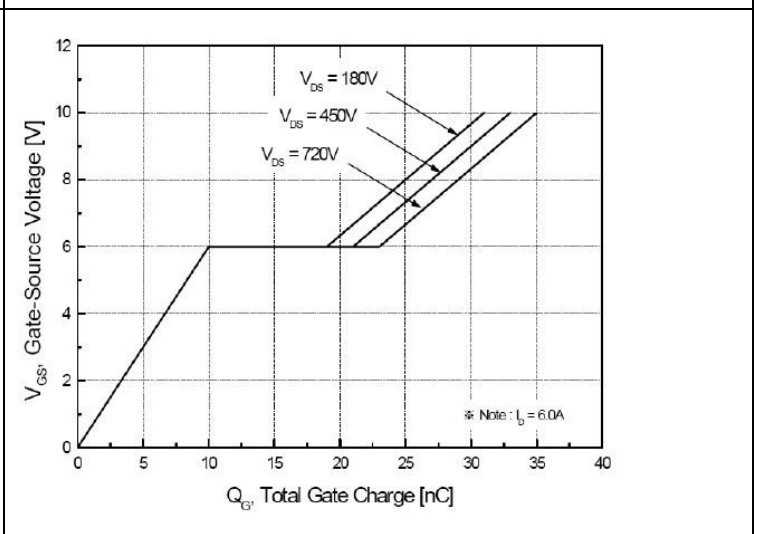


FIG.6-GATE CHARGE CHARACTERISTICS

MSF10N40

400V N-Channel MOSFET

Characteristics Curve

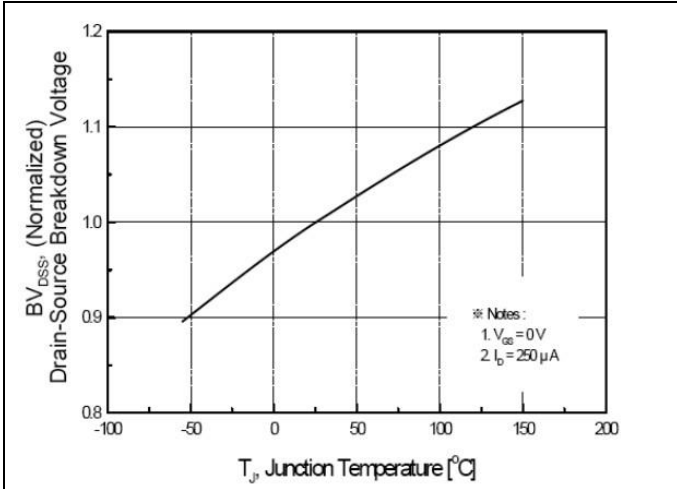


FIG.7-BREAKDOWN VOLTAGE VARIATION VS TEMPERATURE

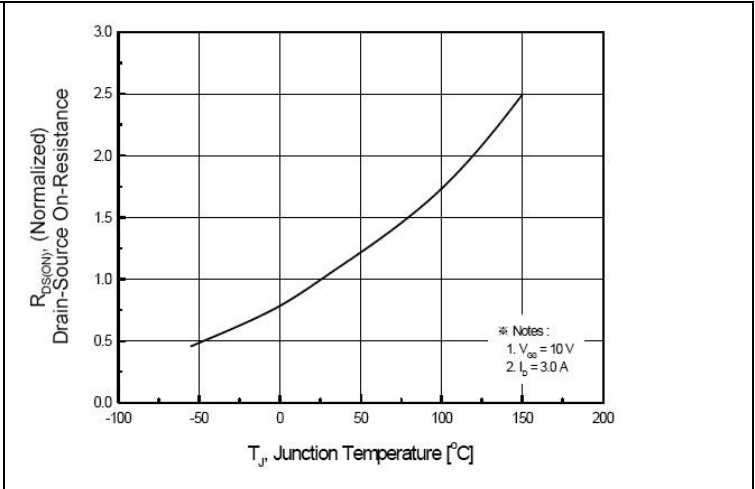


FIG.8-ON-RESISTANCE VARIATION VS TEMPERATURE

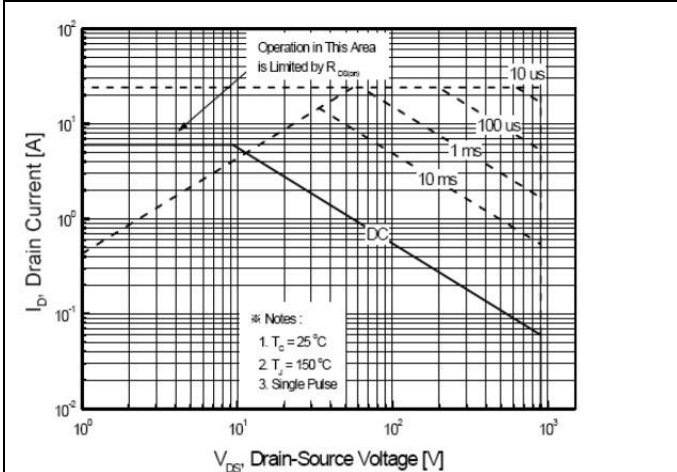


FIG.9-MAXIMUM SAFE OPERATING AREA

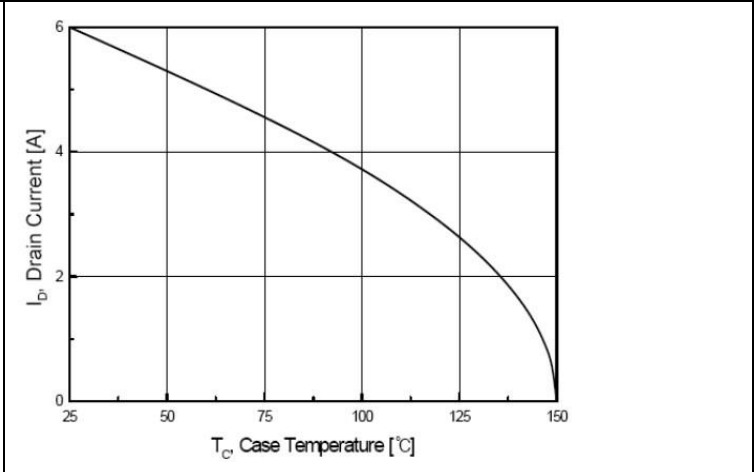


FIG.10-MAXIMUM DRAIN CURRENT VS CASE TEMPERATURE

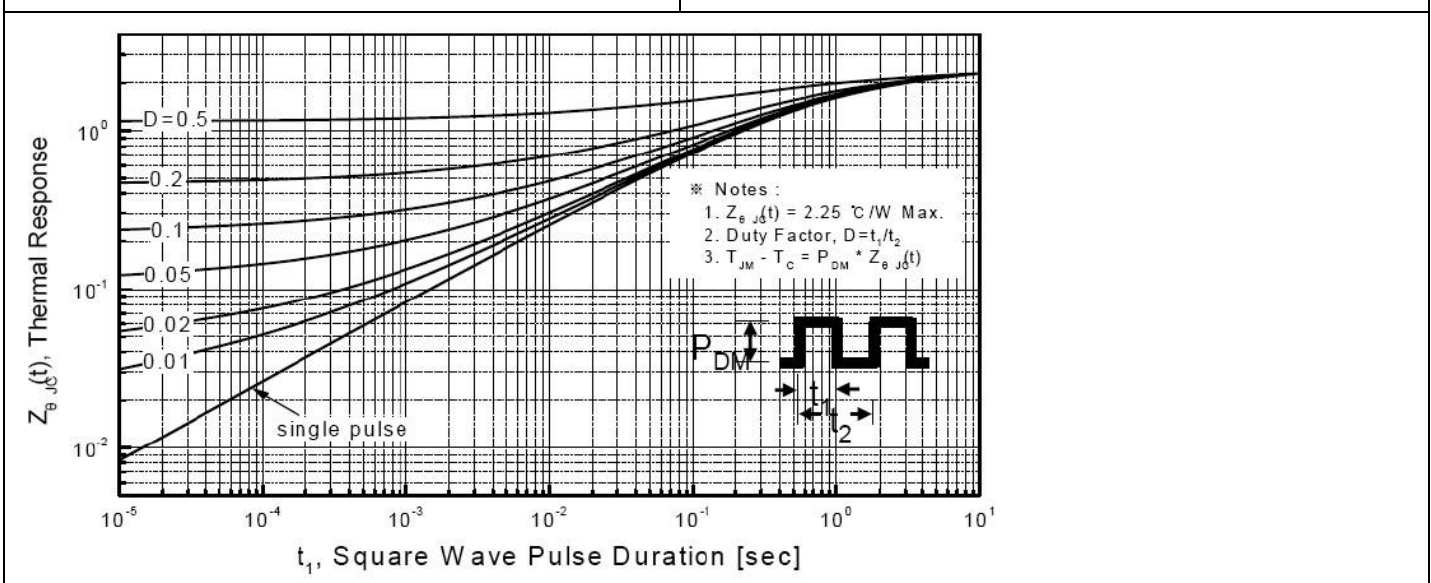


FIG.11-TRANSIENT THERMAL RESPONSE CURVE

MSF10N40

400V N-Channel MOSFET

■ Characteristics Test Circuit & Waveform

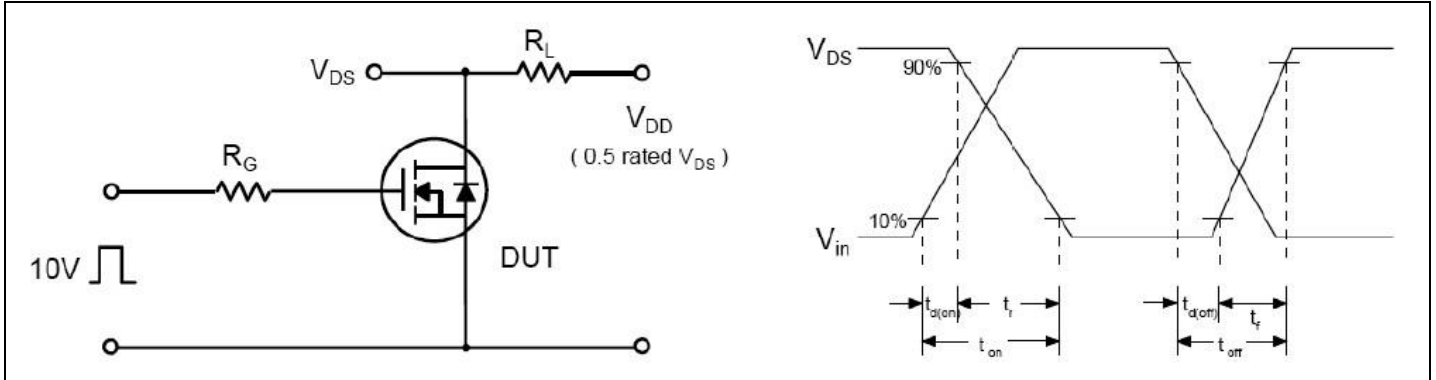


Fig 12. Resistive Switching Test Circuit & Waveforms

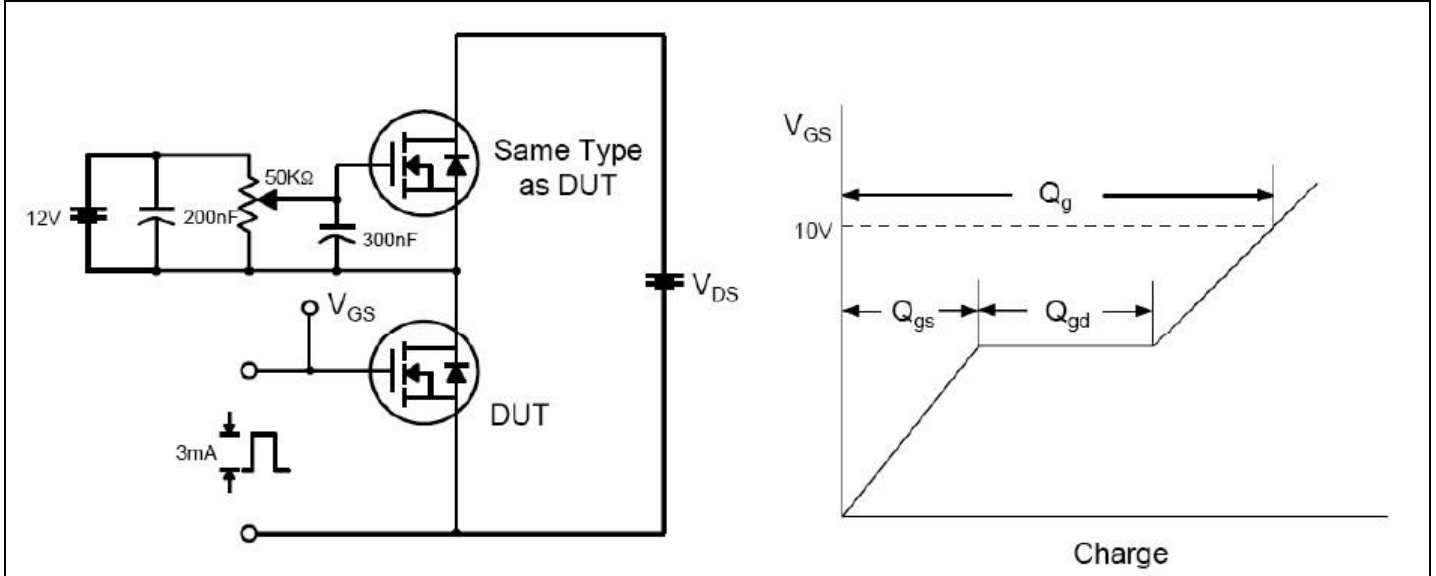


Fig 13. Gate Charge Test Circuit & Waveform

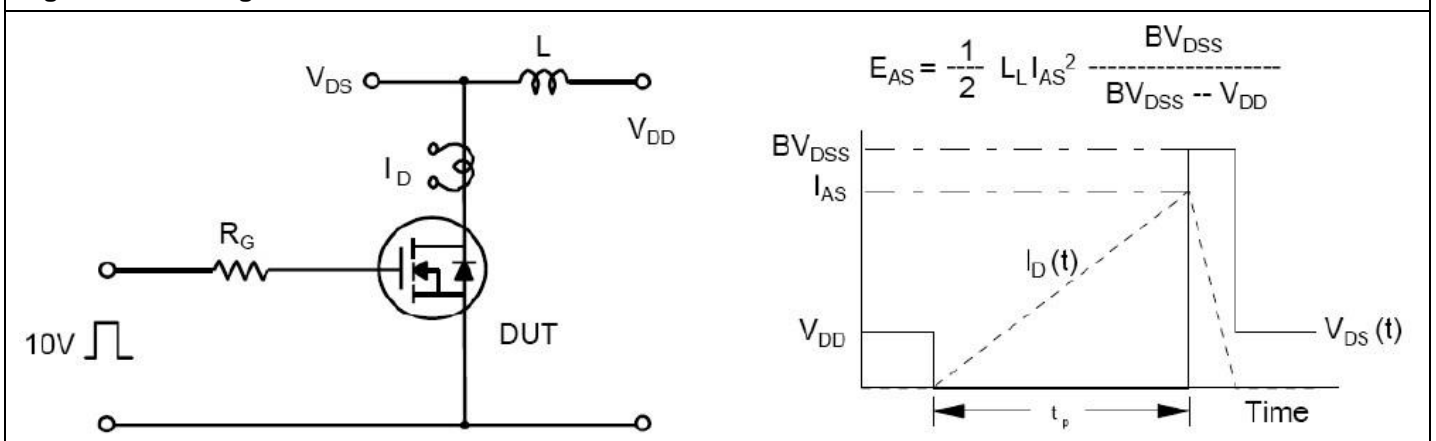


Fig 14. Unclamped Inductive Switching Test Circuit & Waveforms

MSF10N40

400V N-Channel MOSFET

Disclaimer

ALL PRODUCT, PRODUCT SPECIFICATIONS AND DATA ARE SUBJECT TO CHANGE WITHOUT NOTICE TO IMPROVE RELIABILITY, FUNCTION OR DESIGN OR OTHERWISE.

Bruckewell Technology Inc., its affiliates, agents, and employees, and all persons acting on its or their behalf (collectively, "Bruckewell"), disclaim any and all liability for any errors, inaccuracies or incompleteness contained in any datasheet or in any other disclosure relating to any product.

Bruckewell makes no warranty, representation or guarantee regarding the suitability of the products for any particular purpose or the continuing production of any product. To the maximum extent permitted by applicable law, Bruckewell disclaims

- (i) Any and all liability arising out of the application or use of any product.
- (ii) Any and all liability, including without limitation special, consequential or incidental damages.
- (iii) Any and all implied warranties, including warranties of fitness for particular purpose, non-infringement and merchantability.

Statements regarding the suitability of products for certain types of applications are based on Bruckewell's knowledge of typical requirements that are often placed on Bruckewell products in generic applications.

Such statements are not binding statements about the suitability of products for a particular application. It is the customer's responsibility to validate that a particular product with the properties described in the product specification is suitable for use in a particular application. Parameters provided in datasheets and/or specifications may vary in different applications and performance may vary over time.

Product specifications do not expand or otherwise modify Bruckewell's terms and conditions of purchase, including but not limited to the warranty expressed therein.